

# SMART LAMI

## INTELLIGENT AUTO



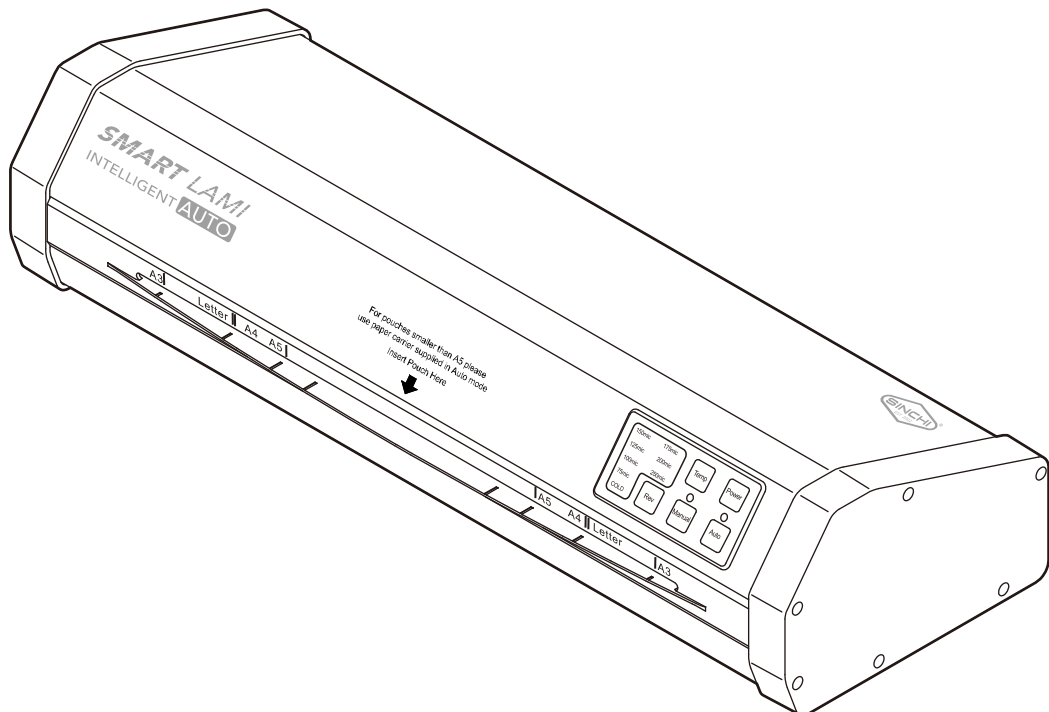
www.sinchitech.com

## User's Manual

Welcome, and thank you for purchasing this Intelligent Auto Sense and jam-free commercial-level laminator, which uses patented technologies to provide trouble-free quality lamination.

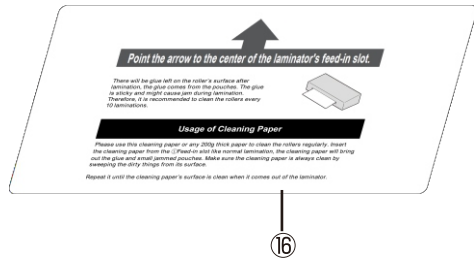
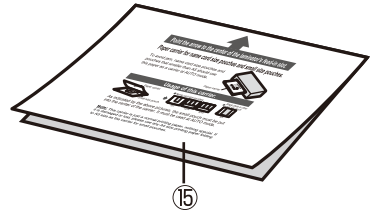
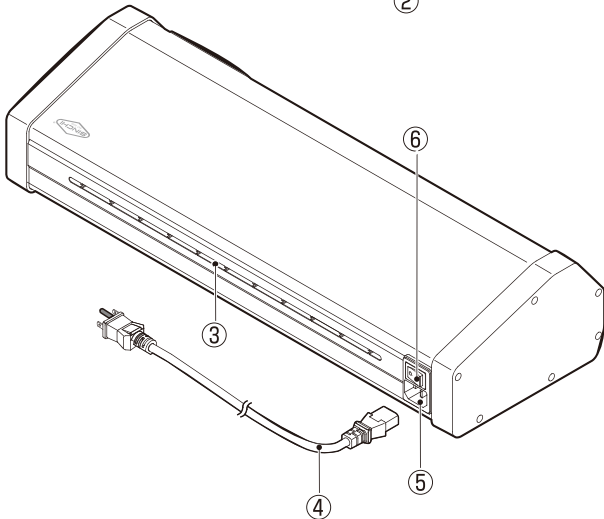
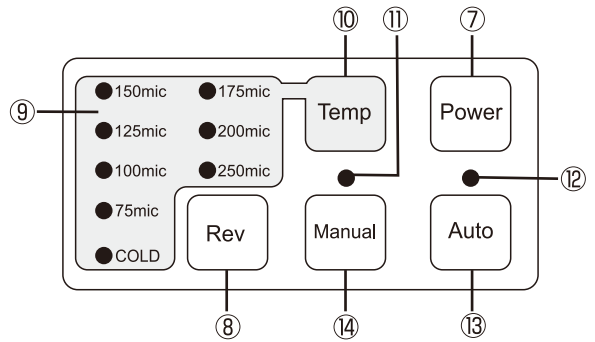
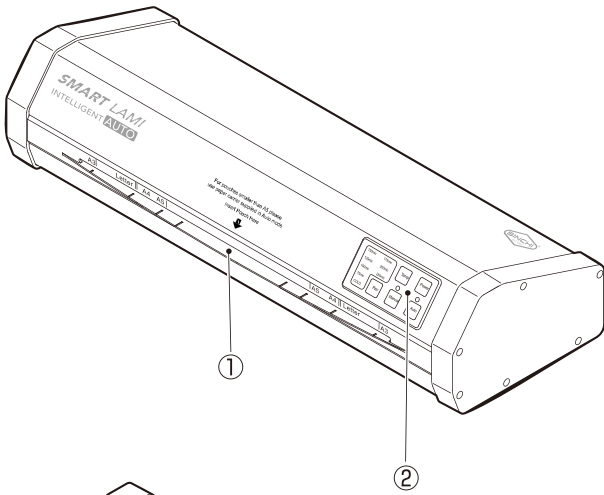
- The patented Auto Sense technology gives great convenience to its use(s), there is no need to pay attention to pouch and document specifications, the machine optimizes the setting automatically.
- Patented anti-jamming technology helps prevent over 90% of problems caused by accidental misuse.
- The combination of a 50-second warm-up period and a laminating speed of 45 inches/minute saves you valuable time on lamination projects.
- The 13-inch inlet accepts all standard pouches up to 13" wide, from the ID card size to an 11"x17" poster. Compatible with pouches ranging from 3 to 10 mil per side.
- No waiting to switch from thinner to thicker pouches or vice versa. Just insert the desired pouch and leave the job to the machine.
- The laminator's patented intelligent auto-shutdown improves safety and conserves energy. It also cools the rollers automatically after use in order to prolong the lifetime of the laminator.

Please read this manual carefully before operation.



# Parts of the Laminator

- ① Feed-In Slot
- ② Control Panel
- ③ Output Slot
- ④ Power Cord
- ⑤ Power Cord Socket
- ⑥ Power Switch
- ⑦ Power Button
- ⑧ Reverse Button
- ⑨ LED Temperature Indicators
- ⑩ Temperature (Selection) Button
- ⑪ LED Manual Operation Indicator / LED Cleaning Reminder Indicator
- ⑫ LED Auto Operation Indicator
- ⑬ Auto Operation Button
- ⑭ Manual Operation Button
- ⑮ Small Pouch Paper Carrier
- ⑯ Cleaning Paper

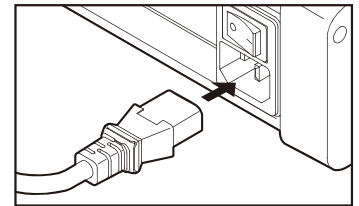


## Specifications

Model No.	C435H
Max. Lamination Width	13"
Heating System	2 pcs pre-heating hot shoes + 2 pcs hot rollers + 2 pcs cold rollers
Max. Laminating Thickness	0.8 mm
Laminating Pouch	3 - 10 mil per side
Warm-Up Time	About 50 seconds
Laminating Speed	Max. 45 inches/minute (Variable)
Anti-Jamming	Patented Jam-Free Structure + Electrical Reverse Button
Power Supply	AC 120V ~ 60Hz
Rated Current	Max. 12.5 A during warm-up, about 2.5 A during operation
Power Consumption	Max. 1500 W during warm-up, about 300 W during operation
Auto-Shutdown	Intelligent auto-shutdown in 30 minutes if not in use
Net Weight	9.92 pounds
Dimension (L x W x H)	18.94 x 6.77 x 4.17 inches

## Preparations:

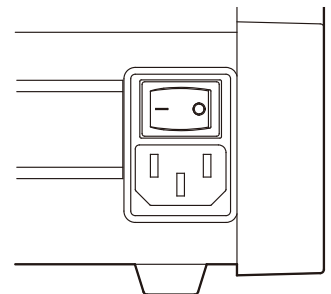
- Plug the ④ Power Cord into the ⑤ Power Cord Socket. Connect the power cord plug to an electrical socket that has the required voltage and power rating. The electrical socket must be grounded, installed near the laminator, and easily accessible.
- Prepare the lamination pouches. Place the document or photo in the pouch, leaving a minimum 3 mm border around the edges.



## Operations

### 1- Turn on the machine:

The ⑥ Power Switch is on the left-hand rear side of the machine. Switch this on to turn on the power supply. The machine's LED indicators will flash and beep once, indicating that the power is connected. The ⑦ Power Button is on the upper right-hand corner of the ② Control Panel. Press the ⑦ Power Button once to turn on the machine.



### 2- Cold Lamination:

After the ⑦ Power Button is pressed, the machine goes into Auto Mode and starts heating. For cold lamination, please press the ⑭ Manual Operation Button and then press the ⑩ Temperature (Selection) Button to select COLD. Once ready, the LED COLD Indicator will stop flashing, turn blue, and beep once. Then insert a special pouch for cold lamination containing the document into the ① Feed-In Slot, and the cold laminating process will occur automatically.

⚠ Always insert the sealed side of the pouch first.

⚠ Before the pouch is inserted into the ① Feed-In Slot, the motor runs at a low speed. The motor will reach the highest speed once the pouch has been inserted into the ① Feed-In Slot. Once the pouch completely emerges from the ③ Output Slot, the motor will revert to its original low speed.

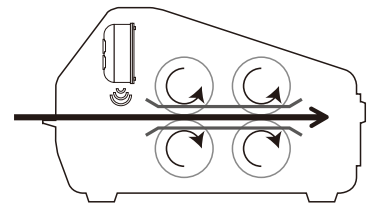
⚠ If cold lamination is required after hot lamination, the rollers' temperature will still be high. The machine will detect the rollers' temperature until they cool down. The Cold Lamination LED Indicator will continue to flash until the rollers reach the correct temperature for cold lamination. This cooling process could take more than 10 minutes. Do not insert cold lamination pouches if the LED indicator is flashing.

### 3- Hot Lamination in Auto Detection Mode:

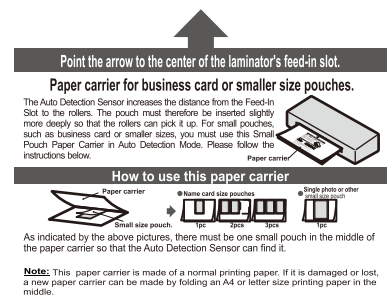
3.1- When the machine is turned on, pouch thickness Auto Detection Mode is selected automatically. The ⑫ LED Auto Operation Indicator will flash, and the machine will start to heat.

3.2- The warm-up time is about 50 seconds. Once the machine is ready for hot lamination, the ⑫ LED Auto Operation Indicator will stop flashing, turn blue, and beep once.

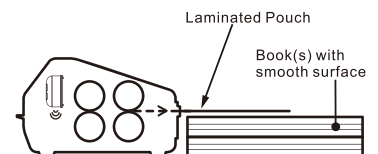
3.3- Insert the pouches with the documents inside. There is no need to pay attention to the thickness of the pouch or document. There is a smart sensor at the center of the ① Feed-In Slot of the machine detects the total combined thickness of the pouch and the document or photo inside. The machine will then set the laminating speed (temperature) automatically



⚠ Note that the Auto Detection Sensor increases the distance from the ① Feed-In Slot to the rollers. The pouch must therefore be inserted slightly more deeply so that the rollers can pick it up. For small pouches, such as business card or smaller sizes, you must use the supplied ⑮ Small Pouch Paper Carrier in **Auto Detection Mode**. Follow the instructions on the supplied paper carrier. Place the small pouches in the paper carrier. There must be one small pouch in the middle of the paper carrier so that the Auto Detection Sensor can find it. Then insert the paper carrier's closed end into the laminator. All the small pouches in the paper carrier will be laminated at the same time, which is very efficient. For more information on how to use the Small Pouch Paper Carrier, please visit our website.



ⓘ To achieve better flatness for the laminated pouch, it is recommended to place a book(s) after the ③ Output Slot. The book(s) must be lower than the ③ Output Slot, and its surface must be smooth.



⚠ Always insert the sealed side of the pouch first.

⚠ Always insert the pouch at the center of the ① Feed-In Slot, which has a pouch detection sensor. Otherwise, the machine will not respond if there is pouch inserted and cannot laminate properly.

⚠ There will be a small amount of resistance in the center of the pouch when you insert the pouch in the ① Feed-In Slot due to the presence of the Auto Detection Sensor.

⚠ Try to insert the pouch quickly and evenly, keeping it stable.

⚠ Before the pouch is inserted into the ① Feed-In Slot, the motor runs at low speed. There is a specific laminating speed for each pouch thickness. The motor will reach the desired speed once the pouch is inserted through the center of the ① Feed-In Slot. Once the pouch completely exits the ③ Output Slot, the motor will return to its original low speed.

⚠ Do not touch the pouch that is just emerging from the ③ Output Slot; it is still hot. Touching it may affect its flatness, and you might be burned by the hot pouch.

📄 Place the laminated pouches on a cold, flat surface to help flatten.

#### 4- **Hot Lamination in Manual Selection Mode:**

4.1- This machine has dual Pouch Thickness Auto Detection and Manual Selection Modes. Users can decide to use either auto detection or manual selection. When the machine is turned on, it is in Auto Detection Mode until the ⑭ Manual Operation Button and the ⑩ Temperature (Selection) Button are pressed.

4.2- Press the ⑭ Manual Operation Button and select the pouch thickness by pressing the ⑩ Temperature (Selection) Button. The machine will start to heat. The LED indicator for the selected pouch thickness will flash during warm-up.

**If you prefer Auto Detection Operation, please go to Part 3- Hot Lamination in Auto Detection Mode.**

4.3- Warm-up time is about 50 seconds. Once the machine is ready, the LED indicator will stop flashing, turn blue, and beep once.

4.4- **Select Temperature:** The hot laminating temperature is constant; only the speed varies by pouch thickness. Therefore, once the machine is ready (in about 50 seconds), you can laminate pouches of any thickness shown on the ② Control Panel without wait time when the pouch thicknesses change. One of the most important features of this smart machine is that it requires **no waiting**.

4.5- Every time a temperature (pouch thickness) is selected, its LED indicator will flash (during warm-up) or turn blue and beep once as confirmation of the selection.

⚠ Always insert the sealed side of the pouch first.

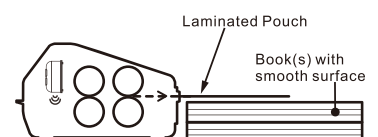
⚠ Always insert the pouch at the center of the ① Feed-In Slot, which contains the pouch detection sensor. Otherwise, the machine cannot respond if there is a pouch inserted and cannot laminate properly.

⚠ Before the pouch is inserted into the ① Feed-In Slot, the motor runs at low speed. There is a specific laminating speed for each pouch thickness. The motor will reach the desired speed once the pouch is inserted through the center of the ① Feed-In Slot. Once the pouch completely exits the ③ Output Slot, the motor will return to its original low speed.

⚠ Make sure that the selected temperature (pouch thickness) is correct according to the pouch thickness that you are going to laminate; otherwise, the lamination quality may be poor, or the document may even be burned.

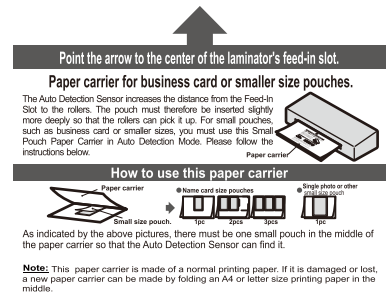
⚠ Do not touch the pouch that is just emerging from the ③ Output Slot, because it is still hot. Touching it may affect its flatness, and you might be burned by the hot pouch.

📄 To achieve better flatness for the laminated pouch, it is recommended to place a book(s) after the ③ Output Slot. The book(s) must be lower than the ③ Output Slot, and its surface must be smooth.



**i** Place the laminated pouches on a cold, flat surface to help flatten them.

**!** Note that the Auto Detection Sensor increases the distance from the ① Feed-In Slot to the rollers. The pouch must therefore be inserted slightly more deeply so that the rollers can pick it up. For small pouches, such as business card or smaller sizes, you must use the supplied ⑮ Small Pouch Paper Carrier in **Auto Detection Mode**. Follow the instructions on the supplied paper carrier. Place the small pouches in the paper carrier. There must be one small pouch in the middle of the paper carrier so that the Auto Detection Sensor can find it, and then insert the paper carrier's closed end into the laminator. All the small pouches in the paper carrier will be laminated at the same time, which is very efficient. For more information on how to use the Small Pouch Paper Carrier, please visit our website.



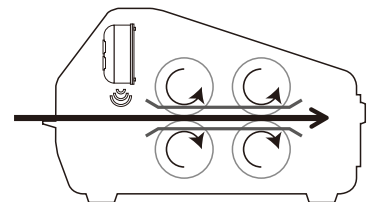
## 5- **Jam Release:**

5.1- **Electrical Reverse Button:** If a pouch becomes jammed in the laminator, press the ⑧ Reverse Button immediately and hold down. The motor will reverse and push the jammed pouch out of the ① Feed-In Slot. Keep pressing the ⑧ Reverse Button until the whole jammed pouch comes out of the ① Feed-In Slot. At the same time, the machine beeps until the ⑧ Reverse Button is released.

**!** Make sure to watch the machine during the lamination process. If the machine sounds noisy or abnormal and the laminating pouch does not come out of the ③ Output Slot within a normal amount of time, that means a jam has occurred. Press the ⑧ Reverse Button immediately and keep pressing until the entire jammed pouch comes out of the machine from the ① Feed-In Slot.

**!** If the jammed pouch cannot be reversed smoothly, keep pressing the ⑧ Reverse Button and hold the machine with one hand, using the other hand to pull the jammed pouch out of the ① Feed-In Slot.

5.2- **Patented Jam-Free Structure** : Jam-free, also called anti-jamming, means the rollers are structured in a way that makes a jam nearly impossible. This anti-jamming structure always provides a perfect guide for the laminating pouch as it runs through the machine, even when the pouch is not properly inserted. Our laboratory tests have demonstrated that the technology's failure rate is less than 10%, which means that more than 90% of the time, the anti-jamming structure prevented potential misuse that could lead to breakdown.



**!** Proper use of the laminator is essential in order to achieve the best lamination quality. Misuse may result in poor lamination quality and increase the risk of breakdown.

**i** Want to know more about our patented anti-jamming technology? Please visit our website for additional information.

## 6- **Turn off the machine and cool down the hot rollers to prolong the lifetime:**

6.1- Press the ⑦ Power Button once. This will switch off the LEDs and the heating system. However, the motor will still be running at a relatively low speed in the reversing direction until the hot rollers are

cooled down. This is recommended to prolong the life of the hot rollers. The ⑥ Power Switch should therefore not be turned off before the motor stops running. You can determine whether the motor is running by touching, or simply listening to the machine. This cooling process may take more than 10 minutes.

6.2- The laminator will also turn off automatically if it has not been used for 30 minutes. The cooling process will be started after auto-shutdown.

6.3- After the motor stops running, turn off the ⑥ Power Switch at the left rear of the machine. The electrical power will be cut off. Disconnect the power cord plug from the power socket.

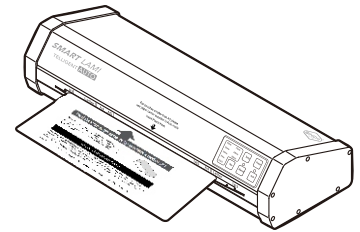
## 7- Maintenance:

Every pass of a pouch through the laminator leaves a small residue of glue on the rollers. As this may cause a jam during lamination, we recommend cleaning the rollers after every 10 laminations.











The ⑪ LED Manual Operation Indicator also acts as the LED Cleaning Reminder Indicator. When it is flashing, it means the machine has laminated more than 10 pouches and should be cleaned using the supplied ⑫ Cleaning Paper. Ignoring this flashing LED does not affect lamination, although we strongly recommend cleaning the rollers when this LED is flashing. After cleaning, the indicator can be reset by pressing the ⑩ Temperature (Selection) Button for more than 2 seconds.

Please use the supplied professional ⑫ Cleaning Paper to clean the rollers regularly. Simply insert the cleaning paper into the ① Feed-In Slot as you would during normal lamination, and the cleaning paper will remove glue and even small jammed pouches.

Make sure to keep the cleaning paper clean by wiping any residue from its surface before inserting it into the laminator. Repeat this process until the cleaning paper's surface is clean when it comes out of the laminator.



## Important Safety Information

- |  |   |   |  |
|--|---|---|--|
|  | The laminator may only be operated on a level and horizontal surface indoors in a dry and well-ventilated room.       |  | <b>HOT surface.</b> Do not touch the surface of the device, it gets hot during operation.<br><b>Risk of burns!</b> |
|  | Children and pets must be kept away from the laminator during operation.  |  | This laminating device is not intended to be used by children (the product is not a toy).                          |
|  | Do not allow items of clothing or hair to come into contact with the paper feed.                                      |  | Do not cover the device and ensure air can circulate around it freely!   |
|  | Remove paper clips and staples before laminating!   |  | Choose the correct temperature setting according to pouch thickness.   |
|  | The device must be cooled down for at least 15 minutes after use before it can be moved/stored. <b>Risk of burns!</b> |  | Do not disassemble without qualified service personnel!  |

## Troubleshooting

Problem	Solution
The laminated pouch is not completely transparent, and/or the edge is not well sealed.	<ul style="list-style-type: none"><li>• Lamination can only be done at the correct temperature, which is reached when the LED Indicator stops flashing, turns blue, and beeps once.</li><li>• Ensure that the setting is based on pouch thickness (in Manual Selection Mode).</li><li>• Try switching to Auto Detection Mode.</li><li>• Ensure there is a sufficiently wide border around the item in the pouch.</li></ul>
There is a strong plastic melting smell, and the pouch always jams.	<ul style="list-style-type: none"><li>• The first few times the machine is used, a residential silicone smell or a small amount of smoke may occur; this is normal.</li><li>• There might be jammed pouches inside the laminator or sticky glue on the roller's surface. The machine must be cleaned using the supplied cleaning paper or any 200 gsm paper. Insert the cleaning paper into the ① Feed-In Slot as you would in normal lamination. The cleaning paper will remove glue or small jammed pouches. Make sure to keep the cleaning paper clean by wiping any residue from its surface before inserting it into the laminator. Repeat this process until the cleaning paper's surface is clean when it comes out of the laminator.</li></ul>



Dispose of the laminating device properly in an environmentally friendly way at an authorized collection point. Do not dispose of any parts of the laminating device or packaging in domestic waste containers.



This device complies with part 15 of the FCC Rules. Operation is subject to the following two conditions:

(1) This device may not cause harmful interference, and (2) this device must accept any interference received, including interference that may cause undesired operation.



Designed and Manufactured by **SINCHI**.